

Ball Catches

Zinc Die Casting / Stainless Steel

SPECIFICATION

Identification no.

- No. **1**: Standard holding force
- No. **2**: High holding force

Ball housing / retaining element

Zinc die casting **ZD**

Powder coated

Black, RAL 9005, textured finish **SW**

Silver, RAL 9006, textured finish **SR**

Stainless steel AISI 630 **NIK**

Matte shot-blasted finish **GS**

Ball

Stainless steel AISI 420C (for ZD)

Ceramic, silicon nitride, black (for NIK)

Spring

Stainless steel AISI 301 (for ZD)

Stainless steel AISI 316 Ti (for NIK)

Ball guide

Plastic (Polyacetal POM)



INFORMATION

Ball catches GN 4490 are used, for example, to hold flaps and doors closed that must be opened and closed frequently and easily. The stainless steel version is especially hard-wearing and also suitable for use in aggressive environments.

The Ball catches consist of a ball housing and a retaining element that engages in the ball housing from the side or front. The installation orientation can be chosen as desired.

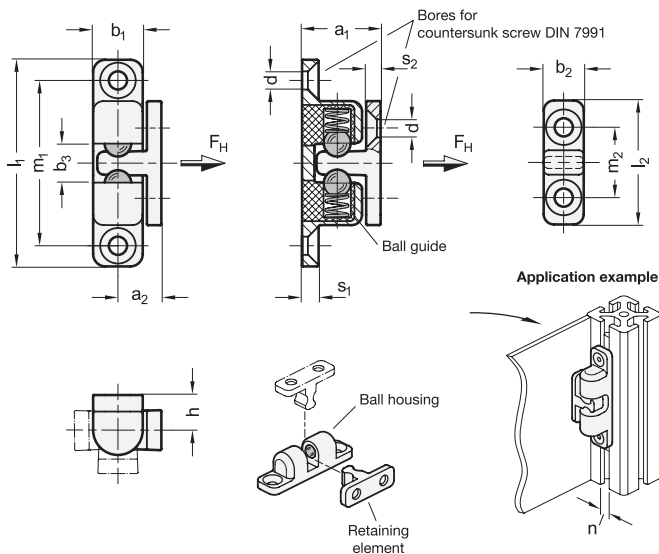
Beyond the typical uses, these solid and attractively designed ball catches are also utilized in technical environments. When used in profile systems, the slot width n may not be larger than listed in the table.

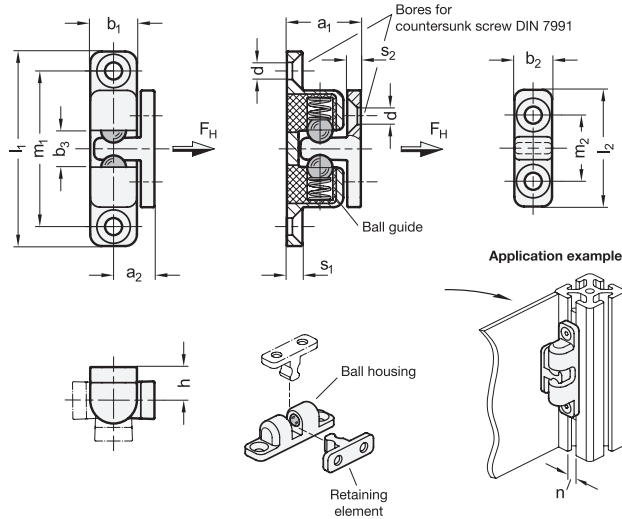
ON REQUEST

- Other colors / finishes

TECHNICAL INFORMATION

- Stainless Steel characteristics (see page A26)





* Complete with color index (SW or SR)

SW SR
 RAL9005 RAL9006

GN 4490-ZD

STAINLESS STEEL

Description	l ₁	a ₁	a ₂	b ₁	b ₂	b ₃	d	h	l ₂	m ₁	m ₂	s ₁	s ₂	for slot width n	Holding force FH in N ≈	⚖️
GN 4490-ZD-38-1-*	38	15	7.5	8	7	4.3	M 3	7.5	21	30	12	4	2.5	≤ 4.5	25	12
GN 4490-ZD-38-2-*	38	15	7.5	8	7	4.3	M 3	7.5	21	30	12	4	2.5	≤ 4.5	35	12
GN 4490-ZD-50-1-*	50	20	10.5	12	10	6.5	M 4	9.5	30	40	17	5	3.5	≤ 6	40	29
GN 4490-ZD-50-2-*	50	20	10.5	12	10	6.5	M 4	9.5	30	40	17	5	3.5	≤ 6	70	31
GN 4490-ZD-68-1-*	68	23	12	14.5	11	9.5	M 4	11	32.5	55	20	5	3.5	≤ 8	75	56
GN 4490-ZD-68-2-*	68	23	12	14.5	11	9.5	M 4	11	32.5	55	20	5	3.5	≤ 8	100	56
GN 4490-ZD-80-1-*	80	27	14	16.5	13	11	M 5	13	40	65	25	6	4	≤ 10	125	88
GN 4490-ZD-80-2-*	80	27	14	16.5	13	11	M 5	13	40	65	25	6	4	≤ 10	150	82

GN 4490-NIK

Description	l ₁	a ₁	a ₂	b ₁	b ₂	b ₃	d	h	l ₂	m ₁	m ₂	s ₁	s ₂	for slot width n	Holding force FH in N ≈	⚖️
GN 4490-NIK-38-1-GS	38	15	7.5	8	7	4.3	M 3	7.5	21	30	12	4	2.5	≤ 4.5	25	15
GN 4490-NIK-38-2-GS	38	15	7.5	8	7	4.3	M 3	7.5	21	30	12	4	2.5	≤ 4.5	35	15
GN 4490-NIK-50-1-GS	50	20	10.5	12	10	6.5	M 4	9.5	30	40	17	5	3.5	≤ 6	40	36
GN 4490-NIK-50-2-GS	50	20	10.5	12	10	6.5	M 4	9.5	30	40	17	5	3.5	≤ 6	70	36
GN 4490-NIK-68-1-GS	68	23	12	14.5	11	9.5	M 4	11	32.5	55	20	5	3.5	≤ 8	75	64
GN 4490-NIK-68-2-GS	68	23	12	14.5	11	9.5	M 4	11	32.5	55	20	5	3.5	≤ 8	100	64
GN 4490-NIK-80-1-GS	80	27	14	16.5	13	11	M 5	13	40	65	25	6	4	≤ 10	125	99
GN 4490-NIK-80-2-GS	80	27	14	16.5	13	11	M 5	13	40	65	25	6	4	≤ 10	150	100

